

智能赞美生活 为裱糊而提速
Praise The Intelligent Of Life
Speed Up For Paper Laminating



Automatic Flute Laminating Machine & Folder Gluer Manufacturer

全自动裱纸机 | 全自动糊盒机

Corporate Image 2022



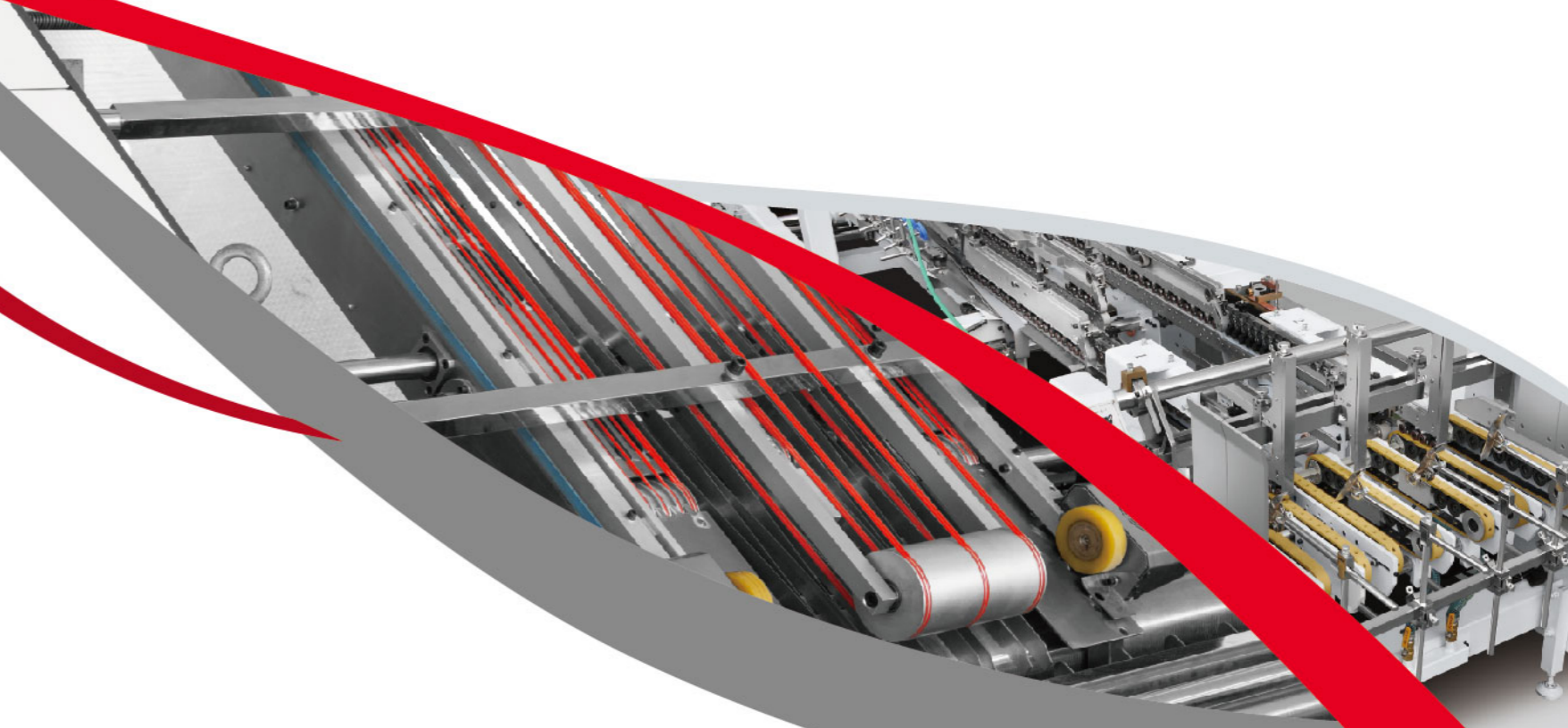
温州市固德印刷机械有限公司
WENZHOU GUDE PRINTING
MACHINERY CO.,LTD.

地址 浙江省温州市瓯海区泽雅镇戈恬工业区大源路1号
电话 0577-8608 7966 传真 0577-8608 7955
邮箱 master@wzgude.com
网址 www.wzgude.com

Add No.01, Dayuan Road, Getian Industry Zone, Zeya Town,
Duhai Area, Wenzhou City, Zhejiang, China.
Tel 0086-577-8608 7966 Fax 0086-577-8608 7955
E-mail master@wzgude.com
Web www.wzgude.com
<https://gudemachinery.en.alibaba.com>
<https://cn-foldergluer.en.made-in-china.com>



www.wzgude.com



专业的瓦楞纸箱机械制造商

Passion For Innovation And Technology



企业文化

Corporate culture

企业宗旨 Enterprise tenet
科技先行 质量为本 诚信经营 热忱服务
quality firstly; managing sincerely; serving warmly

企业任务 Enterprise task
为客户提供优质的产品和生产解决方案
to provide customers with the best manufacturing solutions

企业精神 Enterprise spirit
团结奋斗 开拓创新 优质高效 诚实守信
struggle; innovation; high efficiency; integrity

人才理念 Talent concept
以人为本 用人唯贤 竞争择优 德才并重
people-oriented; excellence-valued; outstanding-selected



关于固德

About us

温州市固德印刷机械有限公司是一家专业制造印后加工设备的企业，是中国印刷及设备器材工业协会会员单位，主要生产裱纸机，糊箱糊盒机两大系列，二十余种机型。公司经过多年的发展，现已成为本行业中集开发设计、生产、销售与服务、高新成果孵化于一体的高科技企业。

固德机械始终坚持“忠诚敬业，创新服务”的企业精神，拥有遍及中国内陆和国外的销售网络，为全球十几个国家和地区的用户提供先进的设备，技术，服务。公司产品以其卓越的品质，优异的价格比及完善的售后服务深受国内外客户广泛的推崇。

公司拥有加工中心、万能铣床、大型摇臂钻床等大型数控加工设备以及粉末喷涂流水线，确保企业的生产能力及产品的加工精度；3000多平方现代化的装配车间实行6S管理，保证了产品装配精度与清洁度；配置高精度的检测量具如三座标测量机、动平衡检测仪、显微镜硬度检测仪等和专门的实验室对产品从材料化验到成品检测实行全过程的控制，确保产品质量。

固德公司产品畅销全国各地，主要城市均有公司的代理销售与服务网点，并远销东欧及中东、东南亚等国家，并设立了销售网点。公司的“售后服务部”由数十名经验丰富、技术全面的技术人员组成，为国内及全球的客户提供技术保障与售后服务。固德机械始终坚持“努力让客户满意”的消费理念，以顾客的需要为我们的行为先导。在任何过程中都可以为客户提供建议方案、技术支持、零配件供应、随机技术文件和操作培训与维修服务等。

公司将本着“创新改变未来”的服务宗旨，对产品不断加以改进、完善、提高。不断开发新产品，加大技术改造力度，提高产品的技术含量，加强公司产品的市场竞争力，为印刷包装行业提供优质的产品和完善的服务，促进经济的发展和推动同行业的技术进步而贡献自己的微薄力量。

wenzhou gude printing machinery co.,ltd. is a professional manufacturer for post-press equipments, mainly produce laminating machine and folder gluer, more than 20 models. with the development for years, we become a high-tech enterprise by combining design, production, marketing and service.

we firmly believes business principle of "loyalty,dedication,creation and service", with marketing networks overall the country and overseas. we provide advanced equipments, technology and service for our users in a few dozen countries and regions. our products are deeply well-repured by our good quality, cost-effective and perfect after-sale service.

gude machinery adheres to the idea of "try to satisfy the customers". customer's demand is our fore runner. at any time, we could provide advice, technical support, spare parts, technical documents, training and maintenance service for all of customers.

looking forward to the future, hope together with difficulty, challenge together with chance. we, gude people will constantly enhance our machine quality and service. keeping up with the times, we try to make a contribution to the development of printing and packaging career.



装配车间
Assembly Shop



装配车间
Assembly Shop



仓库一角
Warehouse



加工中心
Machining Center

为您提供专业高效瓦楞纸盒解决方案

Focus On Corrugated Maker Area,
We Master The Core Technology

战略合作伙伴 Our Suppliers

从轴承到电气和皮带，高端机型采用 NSK、施耐德、哈金森、派克、西门子、马牌等国际著名优质品牌，机器性能更加稳定，效率更高！

From the bearing to the electrical and belt, high-end models adopt NSK, schneider, hutchinson and other international famous brand of high quality Machine performance is more stable, more efficient!



19+ 专利 Patents

经验的积累并非一蹴而就，而是厚积薄发。对固德来说经验等于不断的技术创新。多年间不断技术创新，如今已获得 19 项相关技术专利。

Experience is not achieved overnight, it must with profound knowledge. Experience is equal to the constant technology innovation for GUDE. Now we have secured 19 patents in this area and has more pending through our continuous technological innovation.

ZL 2016 2 0641336.0 糊盒机上胶机构 (Folder gluer gluing system)

ZL 2016 2 0627111.X 糊盒机送纸机构 (Folder gluer feeding system)

ZL 2015 2 0086350.4 铸件结构全自动裱纸机 (Automatic flute laminating machine for casting structure)

ZL 2015 2 0086362.7 裱纸机断纸停机结构 (Flute laminating machine paperless stop structure)

ZL 2015 2 0086383.9 裱纸机吸风送纸机构 (Flute laminating machine feeding system)

3+ 荣誉 Honors

因为专业，所以更能演绎精彩
专注瓦楞纸箱机械行业 25 年以上的管理团队
为企业赢得了 3 项荣誉

Because specialty, so more can demonstrate excellence focus on corrugated carton machinery industry more than 25 years of management team for the enterprise won three of honors

- 浙江省科技型中小企业
- 温州市专利型企业
- 中国印刷及设备器材工业协会 会员单位

Catalogue

产品目录

裱纸机系列

Series Flute Laminating Machine

GFM(V)-1450/1650 Z 04

智能全自动裱纸机 (铸件型)
Automatic Intelligent Flute Laminating Machine (Casting)

GFS-1450/1650 07

翻转收纸机
Automatic Pile Turner And Stacker Machine

GFM(III)-1450/1650 Z 08

智能全自动裱纸机 (伺服型) (过桥可选配加长型)
Automatic Intelligent Flute Laminating Machine (Servo)

GFM(I)-1300/1450/1650 Z 10

全自动裱纸机 (钢件型)
Automatic Flute Laminating Machine (Steel)

GFM-1300/1450 H 12

高位自动裱纸机 (单工位)
Semi-automatic Flute Laminating Machine (Single)

糊盒机系列

Series Smart Folder Gluer

GSF-850/1100 14

卡纸 · 瓦楞多功能糊盒机
Multi-function Folder Gluer

GSF-1250/1450 16

卡纸 · 瓦楞机组式糊盒机
Modular Folder Gluer

GSF-850/1100 LB 22

卡纸 · 瓦楞锁底糊盒机
Lock-bottom Smart Folder Gluer

GSF-850/1100 PF 26

卡纸 · 瓦楞预折糊盒机
Pre-folding Smart Folder Gluer

GSF-850/1100 C 30

卡纸 · 瓦楞单侧边贴型糊盒机
Standard Box Smart Folder Gluer

GSF-600/800 A 34

高速自动糊盒机 (单侧边贴型)
Automatic Folder Gluer

GSF-600/800 G 36

高速自动糊盒机
Automatic Folder Gluer (With Pre-folding Lock Bottom Type)
(With Alignment Lock Bottom Type)

GFM(V)-1450/1650 Z

Automatic Intelligent Flute Laminating Machine (Casting)

智能全自动裱纸机(铸件型)



智能模块
Intelligent module



高速机型
High speed



125g
辊筒偏重量
Roller partial weight

- 伺服控制补偿定位，一键调机
Servo Control Compensation Positioning . One-Key Commission
- 高速贴合，最快时速 12000 张 / 小时
Max Speed 12000 Sheet/Hour
- 完全实现智能化自动化
Fully Intelligent Automation



产品特点

本机集伺服补偿系统和运动控制系统于一体，优化设计，采用多组光电感应检测底纸相对位置，控制面纸两侧伺服电机追踪快慢，独立补偿，使面纸与底纸同步，精准贴合。秉承“以人为本”的设计理念，操作简单，只需输入纸张尺寸即可自动完成贴合同步系统的调校。

Product Features

This machine adopts the servo compensation system and motion control system, optimized design, use of multiple sets of photoelectric sensor at bottom paper relative position, control top paper on both sides of the servo motor to tracking speed, independently compensation, so that accurate positioning of top paper and the bottom paper. We uphold the "people oriented" design concept, simple operation, just input the paper size, machine can automatically finish adjustment.

型号	Model	GFM(V)-1450 Z	GFM(V)-1650 Z
最大覆贴尺寸	Max paper size	1450×1450mm	1650×1450mm
最小覆贴尺寸	Min paper size	400×380mm	400×380mm
覆贴精度	Precision	± 1.5mm	± 1.5mm
面纸克重	Weight of top paper	180-500g/m ²	180-500g/m ²
底纸类型(瓦楞 / 纸板)	Type of bottom paper	A.B.C.E.F 瓦楞纸. 纸板. 工业灰纸板 (Corrugated paper.Paperboard)	ed paper.Paperboard.Grey paper)
总功率	Total power	22kw/380v	25kw/380v
整机重量	Weight	10.5t	11.5t
外形尺寸(长×宽×高)	Size (L×W×H)	15×2.4×2.4m	15×2.6×2.4m

本目录仅供参考，特殊形式可另外设计。
The catalogue provides reference only,peculiar form but another designs that.

组成&模块

Composition & Module



01 飞达部分 Feeder System

配置高速专用四吸四送飞达头，提纸吸嘴与送纸吸嘴角度和高度均可调节。纸线左右倾斜可调，保证走纸高速平稳。

Equipped with high speed dedicated feeder of four-sucking and four-feeding, both paper lifting and feeding nozzle can adjust angle to the paper, to ensure that whether paper is tilted left or right can be delivered rapidly and smoothly.



02 底纸部分 Bottom Paper Feeding System

采用伺服电机控制系统，吸力大小可调节，保证瓦楞纸和纸板顺利输出且操作简单。

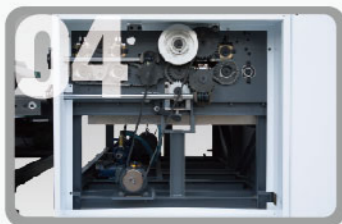
Use servo motor control system, adjustable suction power, to ensure corrugated paper and cardboard goes out smoothly and simple operation.



03 面纸部分 Top Paper Feeding System

两种面纸送纸模式，单张送纸和重叠送纸自由选择。

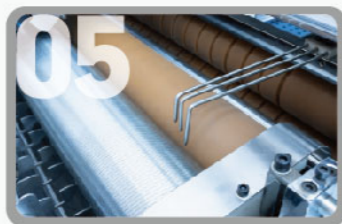
Two top paper feeding modes, single paper feeding and overlap paper feeding for choice.



04 主机墙板部分 Mainframe Wall System

采用4厘米厚铸铁墙板，不易变形，运转更稳。

4cm casting wallboard, not easy to deformation, stable movement.



05 上胶部分 Glue Roller

采用特殊网纹辊设计，精细研磨，保证涂胶均匀。下辊采用水辊清洗。

The special design of roller, after narrowly grinding, guaranteed the glue coated evenly. Down roller be cleaned by water roller.



06 定位(贴合)部分 Positioning System

采用多组光电感应检测底纸相对位置，控制面纸两侧电机做独立补偿动作，使面纸与底纸精准贴合。

Use multiple sets of photoelectric sensor at bottom paper relative position, control top paper on both sides of the servo motor to do independent compensation action, so that accurate positioning of top paper and the bottom paper.



07 电气部分 Electrical System

以人机界面与PLC结合，将参数设置、操作速度、故障检测、异常报警等各项信息显示在屏幕上，保证整机运行稳定高效。

Use man-machine interface and PLC combination, display all the information, such as parameter setting, operating speed, fault detection and warning, etc on the screen. That ensure the machine stability and efficiency.



08 预堆纸部分 Pre-stack Part

在不停机的状态下预堆好下一堆面纸，提高效率。漏斗式工字型预堆纸架，方便快捷。

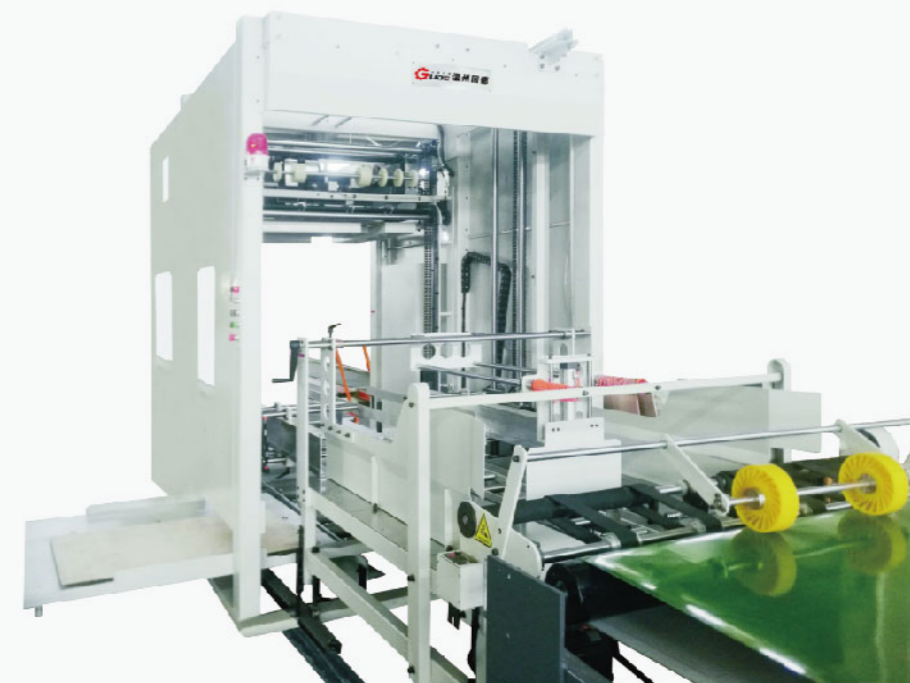
Pre-stack pile of paper under the condition of non-stop, improve efficiency. The special design of pre-stack paper frame, convenient and efficient.

- 01. 飞达部分 Feeder System
- 02. 底纸部分 Bottom Paper Feeding System
- 03. 面纸部分 Top Paper Feeding System
- 04. 主机墙板部分 Mainframe Wall System
- 05. 上胶部分 Glue Roller
- 06. 定位(贴合)部分 Positioning System
- 07. 电气部分 Electrical System
- 08. 预堆纸部分 Pre-stack Part

GFS-1450/1650

Automatic Pile Turner And Stacker Machine

翻转收纸机



产品特点

全自动翻转收纸机可与各型号裱纸机连线，高速高效，节省人工。操作简单，换板时间短，可实现计数堆叠或厚度堆叠，翻纸部正反交替运转，稳定有力。

Product Features

Automatic pile turner and stacker machine can be connected with each type of laminating machine, realize collected paper positive and negative stacking, save time and effort. Simple operation and short time of change plate.

型号	Model	GFS-1450	GFS-1650
最大收纸尺寸	Max paper size	1450×1450mm	1650×1650mm
最小收纸尺寸	Min paper size	500×400mm	600×600mm
适用纸板范围	Type of paper	E.B.EB.BC.AB等彩裱纸板	E.B.EB.BC.AB等彩裱纸板
最高生产速度	Max speed	10000sheets/hour (视瓦楞楞型)	8000sheets/hour (视瓦楞楞型, 裱纸平整度及操作因素而定)
总功率	Total power	5kw/380v/50hz	7kw/380v/50hz
压缩空气压力	Air pressure	0.6mpa	0.6mpa
整机重量	Weight	2.5t	3.5t
整机外形尺寸	Size (L×W×H)	6500×2100×3060mm	7500×2400×3200mm

本目录仅供参考，特殊形式可另外设计。
The catalogue provides reference only, peculiar form but another designs that.

GFM(III)-1450/1650 Z

Automatic Intelligent Flute Laminating Machine (Servo)

智能全自动裱纸机(伺服型)(过桥可选配加长型)



智能模块
Intelligent module



高速机型
High speed



125g
辊筒偏重量
Roller partial weight

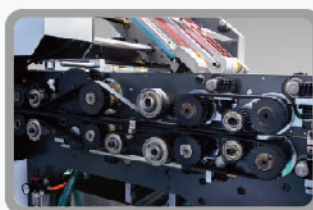
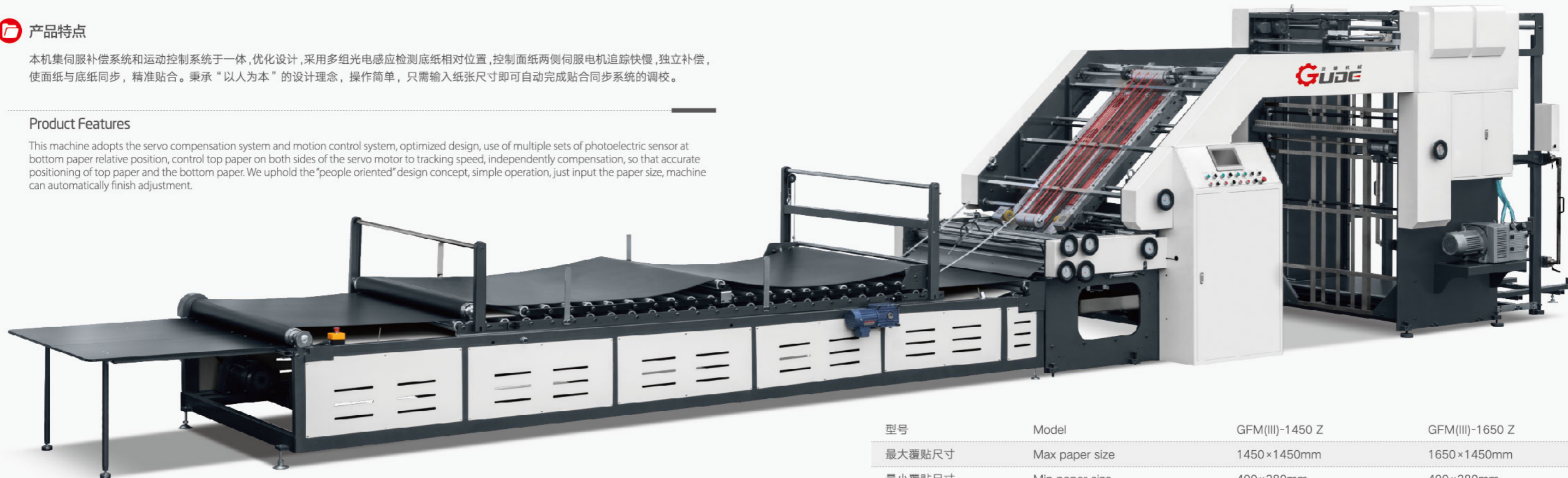
- 伺服控制补偿定位，更换规格自动调机
Servo Control Compensation Positioning. Automatic Adjust When Changing Size
- 高速贴合，线速度可达 150 米 / 分钟
Max Speed 150M/Min

产品特点

本机集伺服补偿系统和运动控制系统于一体，优化设计，采用多组光电感应检测底纸相对位置，控制面纸两侧伺服电机追踪快慢，独立补偿，使面纸与底纸同步，精准贴合。秉承“以人为本”的设计理念，操作简单，只需输入纸张尺寸即可自动完成贴合同步系统的调校。

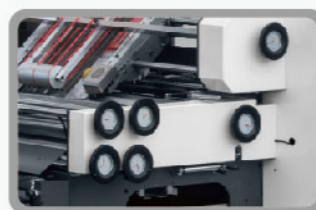
Product Features

This machine adopts the servo compensation system and motion control system, optimized design, use of multiple sets of photoelectric sensor at bottom paper relative position, control top paper on both sides of the servo motor to tracking speed, independently compensation, so that accurate positioning of top paper and the bottom paper. We uphold the "people oriented" design concept, simple operation, just input the paper size, machine can automatically finish adjustment.



主传动部分 Transmission

采用进口双面齿同步带传动，配备专用张紧装置，传动平稳、噪音低。
With imported double teeth belt drive and dedicated tension device ensure the drive stable and low noisy.



间隙(压力)调节部分 Pressure Regulation System

进纸、上胶、贴合、复合四组压力可以单独单边微调调节，也可以四组压力整体上下调节。
Four sets of pressure for feeding, gluing, laminating and compounding can be adjusted unilaterally or up and down.

型号	Model	GFM(III)-1450 Z	GFM(III)-1650 Z
最大覆贴尺寸	Max paper size	1450×1450mm	1650×1450mm
最小覆贴尺寸	Min paper size	400×380mm	400×380mm
覆贴精度	Precision	± 1.5mm	± 1.5mm
覆贴速度	Speed	<150m/min	<150m/min
面纸克重	Weight of top paper	180-500g/m ²	180-500g/m ²
底纸类型(瓦楞 / 纸板)	Type of bottom paper	A.B.C.E.F 瓦楞纸. 纸板. 工业灰纸板 (Corrugated paper/Paperboard)	
总功率	Total power	22kw/380v	25kw/380v
整机重量	Weight	8.5t	9.5t
外形尺寸(长×宽×高)	Size (L×W×H)	13×2.4×2.4m	13.5×2.6×2.4m

本目录仅供参考，特殊形式可另外设计。
The catalogue provides reference only, peculiar form but another designs that.

GFM (I) -1300/1450/1650 Z

Automatic Flute Laminating Machine (Steel)

全自动裱纸机(钢件型)

全新概念前规定位，高速贴合，在理想状态下运行测速对开纸张每小时 7000 张

Entire new concept, front gauge registration,, high-speed laminating, folio paper 7000 copies per hour



底纸伺服控制
Bottom paper servo control



自动供油润滑
Automatic oil lubrication



125g
辊筒偏重量
Roller partial weight

- 科学的前规机构，定位稳定、精确，底纸永不超前；
- 面纸采用重叠式输纸方式，并配置面纸左右双向定位纠偏系统，使面纸输送变得更简单、更稳定；
- 采用先进的 PLC 智能跟踪技术，根据纸张大小自动配置相关参数，保持机械设备稳定运行的同时，也保持了各规格纸张的裱贴精度；
- 底纸输送采用人工智能与伺服电机相接合，量化输纸距离精度；
- 飞达配备预备堆纸装置，减少停机时间，提高工作效率。

- Special front gauge, precise location, no advance of bottom paper.
- Delivery top sheet adopts the method of overlapping feeding paper, making it more stable. Pneumatic correction mechanism for the top sheet, more accurate positioning.
- Select the advanced PLC tracing technology and adjust the relevant parameters according to the size of paper automatically, which makes the machine always operate at the best state.
- Frequency-converting motor controlled for bottom sheet feeding, more stable running distance.
- A pre-feeding device is provided to feeder, cutting time of stopping.

型号	Model	GFM (I) -1300 Z	GFM (I) -1450 Z	GFM (I) -1650 Z
最大覆贴尺寸	Max.Cladding dimensions	1300×1100mm	1450×1100mm	1650×1100mm
最小覆贴尺寸	Min.Cladding dimensions	400×400mm	400×400mm	400×400mm
覆贴精度	Cladding precision	± 1mm	± 1mm	± 1mm
覆贴速度	Cladding speed	6000sheets/h	6000sheets/h	6000sheets/h
面纸克重	Weight of paper	200-500g / m ²	200-500g / m ²	200-500g / m ²
底纸类型 (瓦楞纸板)	Corrugated board	A.B.C.D.E≤7mm	A.B.C.D.E≤7mm	A.B.C.D.E≤7mm
总功率	Total power	15kw	15kw	15kw
整机重量	Weight	7t	8t	9t
外形尺寸(长×宽×高)	Size (L×W×H)	14.20×2.22×2.68m	14.20×2.37×2.68m	14.20×2.62×2.68m

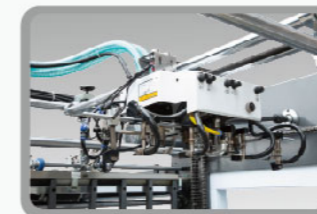
本目录仅供参考，特殊形式可另外设计。
The catalogue provides reference only,peculiar form but another designs that.

产品特点

- 采用 PLC 控制系统，电器结构简化，使控制稳定可靠
- 采用进口施耐德变频调速系统，实现不停机无级变速
- 工作状态自动显示，故障自动报警，自动停机
- 飞达送纸采用齐纸挡板凸轮机构，重叠走纸时纸距控制稳定精确

Product Features

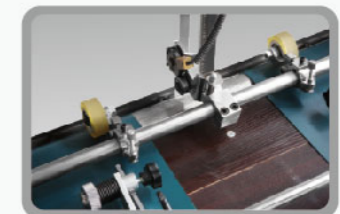
- Adopt PLC control system, simplify electric equipment's structure to control stably and reliably
- Adopt frequency conversion adjusting speed system and realize no-stop stepless variable-speed conversion
- Automatically display the state of operation, automatically alarm trouble and automatically stop
- High precision high speed automatic feeder,strengthening type paper feeding device, feeding smoothly.



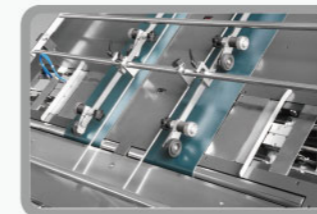
四吸四送加强风力飞达头
Four-sucking, four-feeding, strengthened feeder



进口减速电机，双张防冲顶装置
Imported speed-reducing motor, paper limit device



齐纸挡板凸轮机构
Paper baffle CAM mechanism



面纸气动纠偏机构
Pneumatic correction mechanism for the top sheet



PLC 触摸屏，施耐德电器
PLC touch screen, Schneider electrical



网格强力吸风系统
Suction system

GFM-1300/1450 H

Semi-automatic Flute Laminating Machine (Single)

高位自动裱纸机(单工位)

GFM 系列改进型单工位裱纸机是我公司结合众多卡贴卡，卡贴瓦楞纸机结构之精华，集光、电、机、气为一体完美之结合，秉承“以人为本”的设计理念，在原单工位裱纸机基础上开发的新一代高精度裱纸机。

GFM series improved semi-automatic flute laminators, which are the new generation products with high precision, are developed by our company on basis of referring to the structure of the cardboard to cardoard,cardboard to corrugated board laminator at home and abroad, integrating optical and electrical and air with mechanical



底纸伺服控制
Bottom paper servo control



自动供油润滑
Automatic oil lubrication



辊筒偏重量
Roller partial weight

产品特点

- 独特的前规设计，揉以智能控制，确保贴合定位准确
- 结合人体工程学原理，优化设计，减轻了工人的劳动强度，节省了调节清洗时间，极大的提高了工作效率
- GFMH 型裱纸机面纸送纸台高度为 1.85 米，加底纸更轻松，效率更高

Product Features

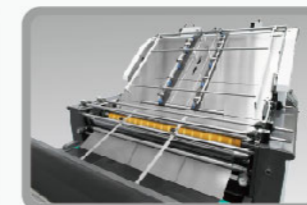
- Unique front gauge with intelligent control system, ensuring accurate registration of laminating.
- Optimized design, reduced worker's labor intensity, has saved the adjustment scavenging period, enormous enhancement working efficiency.
- GFMH flute laminating machine, height of feeding table is 1.85m, easy paper adding.

型号	Model	GFM-1300 H	GFM-1450 H
适用面纸克数	Apply to face paper grams	200-500 g/ m ²	200-500 g/ m ²
适用底纸克数	Apply the bottom paper grams	A.B.C.E.F 浪 (Flute) 及纸板 (Card) ≤7mm	
最大用纸尺寸	Maximum size	1300×1100mm	1450×1100mm
最小用纸尺寸	Minimum size	320×320mm	320×320mm
生产速度	Maximum speed	0-90m/min	0-90m/min
整机功率	Total power	7.8kw	8.5kw
整机重量	Total weight	4.8t	5.3t
外形尺寸	Overall dimensions	8500×1970×1850mm	8500×2120×1850mm

本目录仅供参考，特殊形式可另外设计。
The catalogue provides reference only,peculiar form but another designs that.



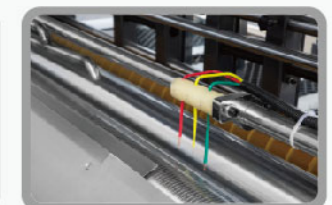
触摸屏，伺服系统
PLC touch screen



全不锈钢面板，喷塑外观
Stainless steel panel



数字显示器调整间隙
Pressure adjustment



自动胶水补充，网纹辊涂胶
Gluing system



集中润滑供油
Oil supply



网格强力底纸吸风
Suction system of the bottom sheet



送面纸踏板
Top paper feeding pedal



面纸电动打高车 (选配)
Top sheet electric high car

GSF-850/1100

Multi-function Folder Gluer

卡纸·瓦楞多功能糊盒机



智能模块
Intelligent module



高速机型
High speed



卡瓦双用
Multi-purpose



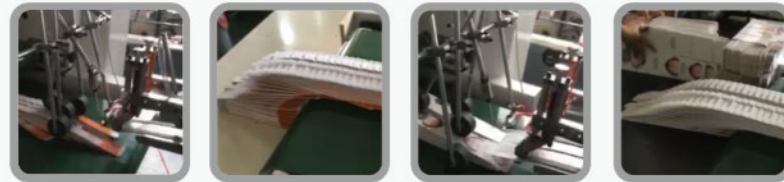
多楔带轮

Wedge Belt Wheel



卡瓦双用

Double With Slip



智能模块

Intelligent Module



产品特点

- 智能化设计, 给纸(校正)、预折、锁底、本折、输出、压平六大部分分段模块化设计可完全自由选择配置, 四 & 六角盒及特殊盒形设计时都有预留, 添加方便
- 新一代高速机型采用多楔带传动, 速度在理想状态下运行测速可达 400m/min
- 适用于卡纸盒和瓦楞纸盒, 多用机型

Product Features

- Intelligent design, the six sections of feeder(paper alignment)-pre-folding-lock-bottom-folding-transfer-conveyor can be completely free to choose configuration, 4&6 corner and other boxes are easy to add.
- A new generation of high speed machine adopt wedge belt wheel transmission, speed up to 400 m/min
- Apply to the card paper and corrugated paper boxes, multi-purpose machines

GSF-1250/1450

Modular Folder Gluer

卡纸·瓦楞机组式糊盒机



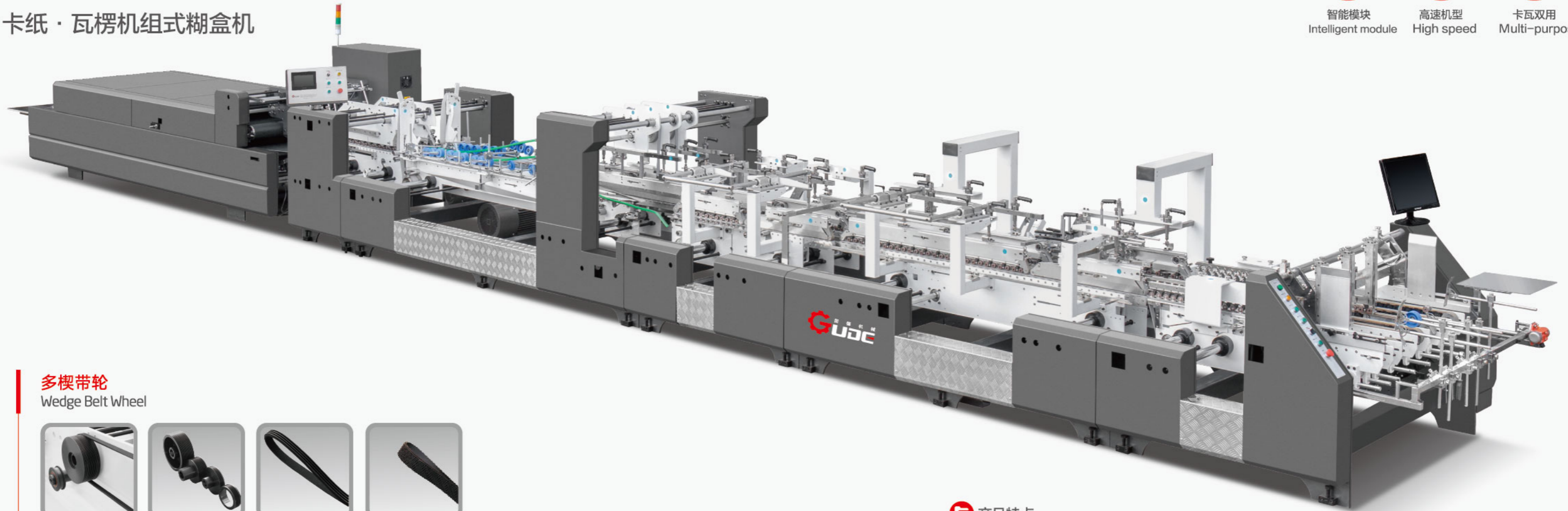
智能模块
Intelligent module



高速机型
High speed



卡瓦双用
Multi-purpose



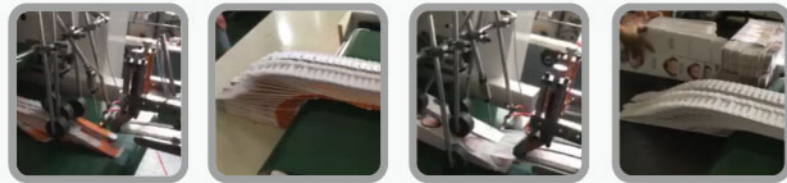
多楔带轮

Wedge Belt Wheel



卡瓦双用

Double With Slip



智能模块

Intelligent Module

产品特点

- 智能化设计，给纸（校正）、预折、锁底、本折、输出、压平六大部分分段模块化设计可完全自由选择配置，四 & 六角盒及特殊盒形设计时都有预留，添加方便
- 新一代高速机型采用多楔带传动，速度在理想状态下运行测速可达 400m/min
- 适用于卡纸盒和瓦楞纸盒，多用机型
- 1250/1450 型机组式糊盒机各分列机型不再单列外型图，外型图参考 850/1100 型各单列机型，组成 & 模块，特点 & 配置，技术参数及制作尺寸 850/1100/1250/1450 共用。

Product Features

- Intelligent design, the six sections of feeder (paper alignment) - pre-folding - lock-bottom - folding - transfer - conveyor can be completely free to choose configuration, 4&6 corner and other boxes are easy to add.
- A new generation of high speed machine adopt wedge belt wheel transmission, speed up to 400 m/min
- Apply to the card paper and corrugated paper boxes, multi-purpose machines
- The outline drawing - features - composition & mouldle of GSF-1250/1450, please refer to GSF-850/1100.

压平
Conveyor



输出
Transfer



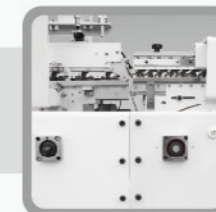
本折
Folding



锁底
Lock-bottom



预折
Pre-folding

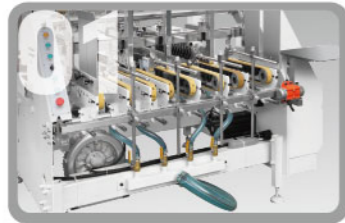


给纸（校正）
Feeder
Paper alignment

组成&模块

Composition & Module

01. 给纸部 Feeder Section	04. 四&六角模块 (选配) 4&6 Corner Module	07. 本折部 Folding Section	10. 压平部 Conveyor Section
02. 纠偏 (校正) 部 Paper Alignment System	05. 锁底部 Lock-bottom Section	08. 输出部 Transfer Section	
03. 预折叠部 Pre-folding Section	06. 糊筒模块 Gluing Tank Module	09. 自动积盒模块 (选配) Auto Product Box Module	



- 配置伺服电机独立驱动，高速操作时精确传递纸张，以达较高产能；
- 大型微动调节送纸刀，侧挡板宽度方向调整方便；
- 漩涡气泵配置独立吸气室和阀门，增大橡胶带输纸摩擦力使出纸平顺；
- 可伸缩纸堆后部支撑，用于较长纸盒。
- Independent servo motor drive, high speed operation is accurate transfer paper, so as to achieve the best capacity;
- Large micro adjust paper knife, lateral baffle width adjustment is convenient;
- Vortex pump configuration independent suction chamber and the valve, increase rubber belt paper friction with smooth paper;
- Scalable paper stack at the back of the support for longer box.

- 独立可调节侧规，与墙板不平行的下托架拉伸纸张沿着一个平行导向装置输送，确保纸张平行对齐；
- 从设备两侧均可实现对齐功能，操作简单快速。
- Independently adjustable side gauge, and wallboard unparallel along a parallel guide bracket drawing paper delivery, ensure paper parallel alignment;
- Both sides can realize alignment function from the device, the operation is simple rapid.



- 左上胶襟 180° 预折，第三条压痕线 135° 预折；
- 第一，三条压痕线预折打开装置
- 180° folding for the first creasing line, and 135° folding for the third creasing line;
- The pre-folding device of the first and third creasing line.

- 智能伺服电机驱动控制的电子反勾系统，可对折叠勾的运动轨迹进行调整，以适应折边的长度，同时对挂钩完成向后的折叠，实现锁底，前勾，后追等特殊折叠功能，满足各种异型盒的要求；
- 三组墙板，整体并可实现多次拆卸组合；功能多变，设计先进，操作方便。
- Intelligent electronic hook system, servo motor drive control can adjust the direction of movement of folding hook, to adapt to the length of the folding, complete folding back on peg at the same time, realize the lock bottom, before, after special folding function, such as meet the requirements of a variety of different boxes;
- Three groups of wallboard, overall and can realize multiple removal; Variable functions, advanced design, easy to operate.



- 配备勾底组合调整机构，理想设计，操作简易，高刚性弹簧勾子座确保动作顺利准确；
- 可调式勾底装置，模块化设计，明显减少了变换盒型时的调校时间，方便附件的安装与转换；
- 配置高弹性勾子座及勾底盒模块。
- Equipped with hook combination adjusting mechanism, the ideal design, easy to operate, high stiffness spring hook to ensure smooth accurate action;
- Adjustable hook device, modular design, significantly reduced the transform box type of set-up time, convenient installation and transformation of attachment;
- Configuration high elastic hook and hook box module.

- 上糊筒部使用电子喷胶系统，根据机型选择配置两套或三套冷胶枪；
- 其它上端电子喷胶系统配置可根据机型需要选择配置；
- 下糊筒左右侧各一个，大容量设计，高速时不用胶，不漏胶。
- The upper gluing tank using electronic spray adhesive system, according to the model select configuration of two or three sets of cold glue guns;
- Other top electronic spray adhesive system configuration can choose according to the needs of aircraft configuration;
- The lower gluing tank of each side, a large capacity design, high-speed don't jilt glue, not leak adhesive.

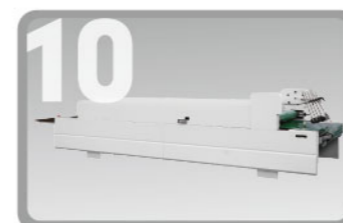


- 顺利准确完成第二折线，第四折线 180° 结合；左右拐带角度 180° 可调，配有皮带变速装置，可有效确保折叠纸盒的平行对齐，盒样能准确闭合；
- 两套上托架和下托架，上输送带皮带宽度 25mm，下输送带皮带宽度 25mm&34mm，拐带宽带 30mm&40mm&50mm；
- 配有皮带张紧自动调节系统，拆装方便。
- Accurately completing the second line, the fourth line 180° combination; Around 180° abduction angle is adjustable, with a belt transmission device, which can effectively ensure the parallel alignment, folding carton sample accurately in closed;
- Two sets of bracket, the upper conveyor belt width is 25mm, the lower conveyor belt width is 25mm&34mm, the kidnapper width is 30mm&40mm&50mm;
- Equipped with the belt tension automatic control system, easy to tear open outfit.

- 两套上托架和下托架，皮带宽度 25mm，配有皮带张紧自动调节系统，拆装方便；
- 自动追踪计数，踢脚记号，塞纸自动检测停机报警；
- 可根据机型及盒型选择配置：纸盒传送调节连续自动积盒模块。
- Two sets of bracket, the belt width is 25 mm is equipped with the belt tension automatic control system, easy to tear open outfit;
- Automatic tracking count, kicking, insert paper automatically detect outage alarm;
- Configuration lock-bottom module according to the machine model and carton type; Carton transfer adjustment continuous automatic box module.



- 在压平部前端配置气动纸盒传送调节自动积盒模块，由气动配合光电驱动，两套皮带托架交互动作，保证纸盒完美堆积；
- 后部堆料校正器，调正纸盒位置，确保每个纸盒顺利进入压平部，节奏流畅。
- The front-end of conveyor section is equipped with pneumatic box module, driven by pneumatic with photoelectric, two sets of belt bracket interactive action, ensure the carton perfect accumulation;
- Back stacking corrector, reset the carton position, to ensure the carton into the conveyor section, smooth rhythm.



- 独立电机驱动；手动和自动（跟进式）运转模式；
- 根据不同的盒子长度，上输送带压力部由电机带动，可前后移动，配置自动纠偏装置；压力调整配气动压力调整装置，调节方便；
- 整部总长 5.6 米，有效输送长度 3.6 米，延长纸盒粘接时间，提高粘接质量。
- Independent motor drive; Manual and automatic operation mode;
- According to the different length of the box, conveyor belt pressure driven by motor, configuration automatic correction device; Pressure adjustment equip with pneumatic pressure adjusting device, convenient adjustment;
- The total length is 5.6m, effective delivery length is 3.6m, to extend the time and improve the quality of the adhesive.

GSF-850/1100/1250/1450

Multi-function Folder Gluer

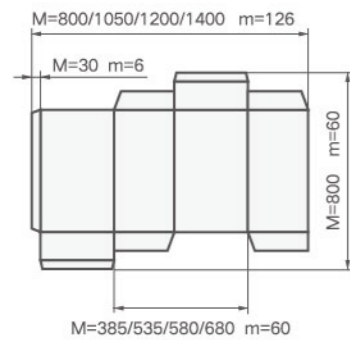
卡纸·瓦楞多功能糊盒机

制作尺寸及技术参数

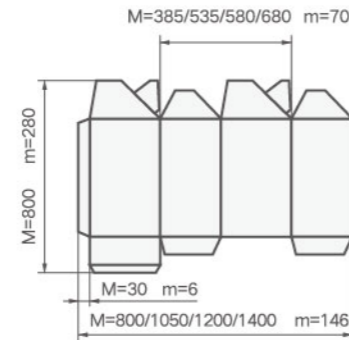
Box Size & Specification

单位: 毫米
Unit: mm

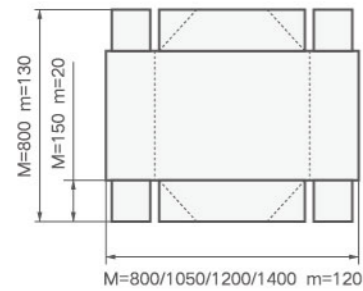
边贴纸盒
Straight Line Box



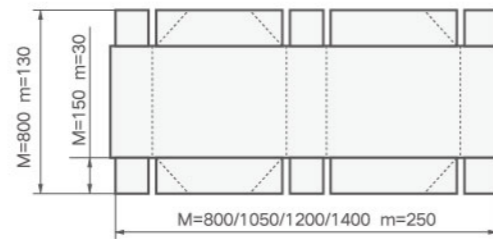
锁底纸盒
Lock Bottom Box



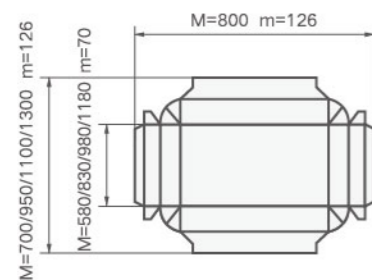
4角盒
4-Corner Box



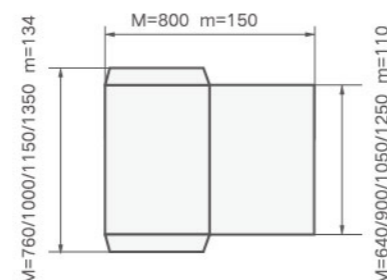
6角盒
6-Corner Box



两侧边贴纸盒
Double Sides Box



CD盒
CD Box



* 其它特殊盒型请垂询本公司销售部, 可以根据客户要求定做
* Other special box please contact our sales department

型号	Model	GSF-850/1100/1250/1450	
纸类	Materials	卡纸, A.B.C.E.F 瓦楞纸, 三层 & 五层平口箱 Paperboard, A.B.C.E.F. Corrugated board, Flat mouth box	
盒型	Box	一般边贴, 两侧边贴, 锁底盒, CD盒, 4&6角盒, 平口箱 straight line, double sided, lock bottom box, CD box, 4&6 corner box, flat mouth box	
一般边贴尺寸	Straight Line	GSF-850 最大 (max): 800 × 800mm GSF-1100 最大 (max): 1050 × 800mm GSF-1250 最大 (max): 1200 × 800mm GSF-1450 最大 (max): 1400 × 800mm	最小 (min): 126 × 60mm 最小 (min): 126 × 60mm 最小 (min): 126 × 60mm 最小 (min): 126 × 60mm
两侧边贴尺寸	Double Sided	GSF-850 最大 (max): 700 × 800mm GSF-1100 最大 (max): 950 × 800mm GSF-1250 最大 (max): 1100 × 800mm GSF-1450 最大 (max): 1300 × 800mm	最小 (min): 126 × 126mm 最小 (min): 126 × 126mm 最小 (min): 126 × 126mm 最小 (min): 126 × 126mm
锁底盒尺寸	Lock Bottom Box	GSF-850 最大 (max): 800 × 800mm GSF-1100 最大 (max): 1050 × 800mm GSF-1250 最大 (max): 1200 × 800mm GSF-1450 最大 (max): 1400 × 800mm	最小 (min): 146 × 280mm 最小 (min): 146 × 280mm 最小 (min): 146 × 280mm 最小 (min): 146 × 280mm
4角盒尺寸	4 Corner Box	GSF-850 最大 (max): 800 × 800mm GSF-1100 最大 (max): 1050 × 800mm GSF-1250 最大 (max): 1200 × 800mm GSF-1450 最大 (max): 1400 × 800mm	最小 (min): 120 × 130mm 最小 (min): 120 × 130mm 最小 (min): 120 × 130mm 最小 (min): 120 × 130mm
6角盒尺寸	6 Corner Box	GSF-850 最大 (max): 800 × 800mm GSF-1100 最大 (max): 1000 × 800mm GSF-1250 最大 (max): 1200 × 800mm GSF-1450 最大 (max): 1400 × 800mm	最小 (min): 250 × 130mm 最小 (min): 250 × 130mm 最小 (min): 250 × 130mm 最小 (min): 250 × 130mm
CD盒	CD Box	GSF-850 最大 (max): 760 × 800mm GSF-1100 最大 (max): 1000 × 800mm GSF-1250 最大 (max): 1150 × 800mm GSF-1450 最大 (max): 1350 × 800mm	最小 (min): 134 × 150mm 最小 (min): 134 × 150mm 最小 (min): 134 × 150mm 最小 (min): 134 × 150mm
平口箱尺寸	Flat Box Size	GSF-850 最大 (max): 800 × 800mm GSF-1100 最大 (max): 1050 × 800mm GSF-1250 最大 (max): 1200 × 800mm GSF-1450 最大 (max): 1400 × 800mm	最小 (min): * 最小 (min): * 最小 (min): * 最小 (min): *
最高皮带速度	Max Speed	400 (米 / 分钟) m/min	
总功率	Total Power	GSF-850: 20KW; GSF-1100: 22 KW; GSF-1250: 24 KW; GSF-1450: 26 KW;	
体积和重量	Machine Size	GSF-850 18 × 2.0 × 1.5 米 (净长 L × 宽 W × 高 H); 8.5Tons GSF-1100 18 × 2.3 × 1.5 米 (净长 L × 宽 W × 高 H); 10.5Tons GSF-1250 18 × 2.5 × 1.5 米 (净长 L × 宽 W × 高 H); 11Tons GSF-1450 18 × 2.7 × 1.5 米 (净长 L × 宽 W × 高 H); 11.5Tons	
压缩机压力 能量和容量	Compressor Pressure Energy And Capacity	GSF-850 6 (标准气压) bar, 10 (立方米 / 小时) m ³ /h; 60(升) L ³ GSF-1100 6 (标准气压) bar, 10 (立方米 / 小时) m ³ /h; 60(升) L ³ GSF-1250 6 (标准气压) bar, 10 (立方米 / 小时) m ³ /h; 60(升) L ³ GSF-1450 6 (标准气压) bar, 10 (立方米 / 小时) m ³ /h; 60(升) L ³	

* 最大尺寸与最小尺寸是按最理想盒型运行时提供的参考尺寸, 如有改动恕不另行通知

* Minimum size and maximum size is according to the ideal box type runtime provides reference size, are subject to change without prior notice

GSF-850/1100 LB

Lock-Bottom Smart Folder Gluer

卡纸·瓦楞锁底糊盒机



智能模块
Intelligent module



高速机型
High speed



卡瓦双用
Multi-purpose



适合糊制中高档包装盒，底部撑开成型，自动锁底，不再折叠，不会开底，能承受一定的重量，如高档化妆品盒，酒盒，工艺礼品盒等。

Suitable for high-grade packaging boxes, automatic lock bottom, can bear a certain weight, such as cosmetic boxes, wine boxes, gift boxes, etc.

机器外观图 Machine Appearance Figure



- 智能化设计，给纸（校正）、预折、锁底、本折、输出、压平六大部分分段模块化设计，可完全自由选择配置，四 / 六角盒及特殊盒形设计时都有预留，添加方便
- 新一代高速机型采用多楔带传动，速度在理想状态下运行测速可达 400m/min
- 适用于卡纸盒和瓦楞纸盒，多用机型
- Intelligent design, the six sections of feeder (paper alignment) - pre-folding - lock-bottom - folding - transfer - conveyor can be completely free to choose configuration, 4&6 corner and other boxes are easy to add.
- A new generation of high speed machine adopt wedge belt wheel transmission, speed up to 400 m/min.
- Apply to the card paper and corrugated paper boxes, multi-purpose machines.

产品特点

- GSF 系列糊盒机是目前市场上较先进的糊盒方案，让您同时拥有高端的配置，简单快速的操作平台及合理的价格
- 该系列尤其适合大中型包装企业，商业印刷厂，可满足不同幅面，各种盒型糊盒需求
- 操作灵活高效，并且具备高性能机械电气配置
- 所有机型均可以选择配置先进的电子喷胶系统

Product Features

- GSF series pasting box machines are currently on the market the best paste box package, let you have the most simple and quick operation platform, and the most reasonable price.
- This series is especially suitable for large and medium-sized packaging enterprise, commercial printing factory, can meet the different level, a variety of type box pasting box demand.
- Flexible and efficient operation, and have high performance mechanical electrical configuration.
- All the models can choose to configure the most advanced electronic spray adhesive system.

GSF-850/1100/1250/1450 LB

Lock-Bottom Smart Folder Gluer

卡纸·瓦楞锁底糊盒机

组成 & 模块

Composition & module

- 本机由给纸（校正）部分，锁底部分，本折部分，输出部分，压平部分共五大部分组成
- Feeder Section, Paper Alignment System, Lock-bottom Section, Folding Section, Transfer Section, Conveyor Section

特点 & 配置

Main features & machine configuration

- 人性化设计，一个六角扳手可调整大部分部件，调试容易；
 - 触摸屏，按钮，遥控器远程，三个面板三位一体均可操作设备，方便快捷；
 - 整机墙板及部分复杂件采用电脑激光加工整体切割，主导板经冷热调质处理；
 - 零部件设计严谨，加工精密，稳定性好，高速运转噪音极低，耐用性好；
 - 高端机型关键传动部分轴承可选用日本名牌 NSK 厂家轴承，主轴可选用硬铬钢棒，紧固螺栓可选用 12.9 级；
 - 主电机高端机型可选配台湾东元 TECO 品牌，压平电机高端机型可选配台湾晟邦精密 CPG 品牌；
 - 主控电气变频器，PLC 等高端机型可选配施耐德 Schneider 品牌，触摸屏可选配台湾威纶 WEINVIEW；
 - 多楔带轮和多楔带高端机型可选配法国哈金森品牌 HUTCHINSON；
 - 输送皮带高端机型可选配瑞士瑞宝龙 RAPPLON 两面特殊材质皮带；平面皮带可选配日本 NITTA 皮带。
 - 1250/1450 机型是分组式机型，开放式结构，方便进入墙板内侧调试机器。
 - 1250/1450 机型本折部分上带动力驱动，确保大幅度纸盒折叠时运行平稳。
-
- Humanized design, a hexagonal wrench can adjust most of the parts, debugging easy;
 - Touch screen, button, remote control distance, three panels of the trinity are operating equipment, convenient and quick;
 - The machine wallboard and some complex casting using computer laser cutting whole, dominant board conditioning treatment after hot and cold;
 - Parts design, processing precision, good stability, high speed low noise, good durability;
 - Bearing adopts Japan NSK bearing manufacturer of famous brand, the main shaft adopts hard chrome steel rods, fastening bolt use 12.9 on the Richter scale;
 - Main motor adopt Taiwan TECO brand, pressing machine adopt Taiwan sheng bond precision CPG brand;
 - Master electrical frequency converter, PLC, Schneider brand, the higher WEINVIEW touch product adopts Taiwan wei;
 - Wedge pulleys and wedge belt adopts French HUTCHINSON brand;
 - Conveyor belt by Swiss baolong RAPPLON special belt on both sides. Flat belt adopt Japan NITTA belt.
 - The open structure of GSF-1250/1450 is convenient for adjusting the machine.
 - The folding section of GSF-1250/1450 is driven by power that ensure smooth operation when folding carton.

另选配置

Optional configuration

- 高频率等离子表面处理装置
 - 日本安川伺服电机（4&6 角盒配置）
 - 采用喷胶系统（锁底盒，4&6 角盒等配置）
-
- High frequency plasma surface treatment plant
 - Japan yaskawa servo motor (4 & 6 corner box configuration)
 - Using spray adhesive system (lock bottom box, 4 & 6 corner box configuration)

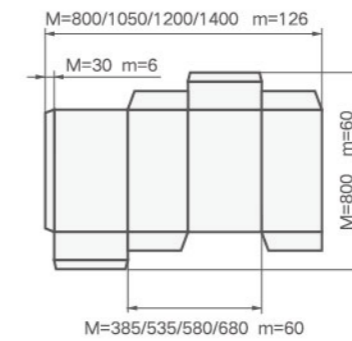
技术参数及制作尺寸

Specification & Box Size

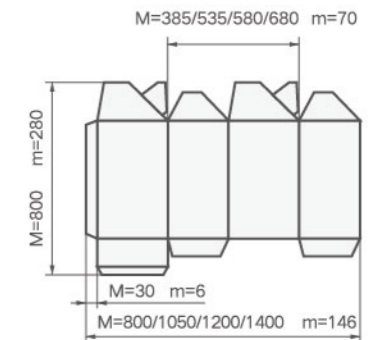
型号	Model	GSF-850 LB	GSF-1100 LB	GSF-1250 LB	GSF-1450 LB
适用纸质	Material	200-800gsm 卡纸, A.B.C.E.F 瓦楞纸, 三层 & 五层平口箱 200-800gsm paperboard, A.B.C.E.F. Corrugated board			
制盒型式	Box type	一般边贴, 两侧边贴, 勾底盒, 平口箱, (CD 盒, 4&6 角盒选配) Straight line, double sided, lock bottom box, flat mouth box, (CD box, 4&6 corner box optional)			
最高线速度	Max speed	400m/min	400m/min	400m/min	400m/min
总功率	Power	17KW	19KW	21KW	23KW
机器重量	Weight	7.0TONS	9.0TONS	10TONS	11TONS
机器尺寸(净长×宽×高)	Size (L×W×H)	16×2.0×1.5m	16×2.3×1.5m	16×2.5×1.5m	16×2.7×1.5m
压缩空气压力	C.A.P	6 (标准气压) bar	6 (标准气压) bar	6 (标准气压) bar	6 (标准气压) bar
压缩空气能量	C.A.E	6 m ³ /h	6 m ³ /h	6 m ³ /h	6 m ³ /h
压缩空气容量	C.A.V	40L	40L	40L	40L

* 最大尺寸与最小尺寸是按最理想盒型运行时提供的参考尺寸，如有改动恕不另行通知
* Minimum size and maximum size is according to the ideal box type runtime provides reference size, are subject to change without prior notice

边贴纸盒
Straight Line Box

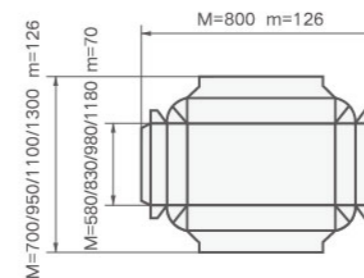


锁底纸盒
Lock Bottom Box

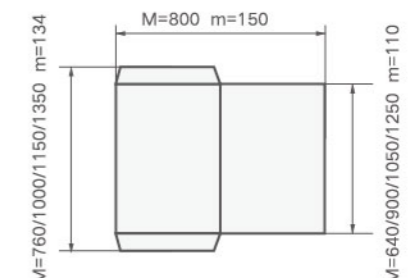


单位: 毫米
Unit: mm

两侧边贴纸盒
Double Sides Box



CD 盒
CD Box



* 其它特殊盒型请垂询本公司销售部，可以根据客户要求定做
* Other special box please contact our sales department

GSF-850/1100 PF

Pre-folding Smart Folder Gluer

卡纸·瓦楞预折糊盒机



智能模块
Intelligent module



高速机型
High speed



卡瓦双用
Multi-purpose

适合需要上自动化包装流水线的药盒,酒盒,食品盒,化妆品盒等,成型后更容易打开便于装入产品。

Suitable for boxes which need to be pre-folded, especially for those medicine boxes, wine boxes, cosmetic boxes to be running on automatic packaging flow line and need easy opening for the finished boxes.



三位一体化电气控制 Integrated electric control



- 给纸部分按钮控制面板, 输出部分触摸屏控制面板, 远程遥控器控制面板均可独立实现对机器的操作, 人性化设计, 方便快捷
- Part of the button control panel to the paper, the output part of the touch screen control panel, remote control panel can be independent to the operation of the machine, humanized design, convenient and quick



产品特点

- GSF 系列糊盒机是目前市场上较先进的糊盒方案, 让您同时拥有高端的配置, 简单快速的操作平台及合理的价格
- 该系列尤其适合大中型包装企业, 商业印刷厂, 可满足不同幅面, 各种盒型糊盒需求
- 操作灵活高效, 并且具备高性能机械电气配置
- 所有机型均可以选择配置先进的电子喷胶系统

Product Features

- GSF series pasting box machines are currently on the market the best paste box package, let you have the most simple and quick operation platform, and the most reasonable price.
- This series is especially suitable for large and medium-sized packaging enterprise, commercial printing factory, can meet the different level, a variety of type box pasting box demand.
- Flexible and efficient operation, and have high performance mechanical electrical configuration.
- All the models can choose to configure the most advanced electronic spray adhesive system.

GSF-850/1100/1250/1450 PF

Pre-folding Smart Folder Gluer

卡纸·瓦楞预折糊盒机

技术参数及制作尺寸

Specification & Box Size

组成 & 模块

Composition & module

- 本机由给纸（校正）部分，预折部分，本折部分，输出部分，压平部分共五大部分组成
- Feeder Section, Paper Alignment System, Pre-folding Section, Folding Section, Transfer Section, Conveyor Section

特点 & 配置

Main features & machine configuration

- 人性化设计，一个六角扳手可调整大部分部件，调试容易；
 - 触摸屏，按钮，遥控器远程，三个面板三位一体均可操作设备，方便快捷；
 - 整机墙板及部分复杂件采用电脑激光加工整体切割，主导板经冷热调质处理；
 - 零部件设计严谨，加工精密，稳定性好，高速运转噪音极低，耐用性好；
 - 高端机型关键传动部分轴承可选用日本名牌 NSK 厂家轴承，主轴可选用硬铬钢棒，紧固螺栓可选用 12.9 级；
 - 主电机高端机型可选配台湾东元 TECO 品牌，压平电机高端机型可选配台湾晟邦精密 CPG 品牌；
 - 主控电气变频器，PLC 等高端机型可选配施耐德 Schneider 品牌，触摸屏可选配台湾威纶 WEINVIEW；
 - 多楔带轮和多楔带高端机型可选配法国哈金森品牌 HUTCHINSON；
 - 输送皮带高端机型可选配瑞士瑞宝龙 RAPPLON 两面特殊材质皮带；平面皮带可选配日本 NITTA 皮带。
 - 1250/1450 机型是分组式机型，开放式结构，方便进入墙板内侧调试机器。
 - 1250/1450 机型本折部分上带动力驱动，确保大幅面纸盒折叠时运行平稳。
-
- Humanized design, a hexagonal wrench can adjust most of the parts, debugging easy;
 - Touch screen, button, remote control distance, three panels of the trinity are operating equipment, convenient and quick;
 - The machine wallboard and some complex casting using computer laser cutting whole, dominant board conditioning treatment after hot and cold;
 - Parts design, processing precision, good stability, high speed low noise, good durability;
 - Bearing adopts Japan NSK bearing manufacturer of famous brand, the main shaft adopts hard chrome steel rods, fastening bolt use 12.9 on the Richter scale;
 - Main motor adopt Taiwan TECO brand, pressing machine adopt Taiwan sheng bond precision CPG brand;
 - Master electrical frequency converter, PLC, Schneider brand, the higher WEINVIEW touch product adopts Taiwan wei;
 - Wedge pulleys and wedge belt adopts French HUTCHINSON brand;
 - Conveyor belt by Swiss baolong RAPPLON special belt on both sides. Flat belt adopt Japan NITTA belt.
 - The open structure of GSF-1250/1450 is convenient for adjusting the machine.
 - The folding section of GSF-1250/1450 is driven by power that ensure smooth operation when folding carton.

另选配置

Optional configuration

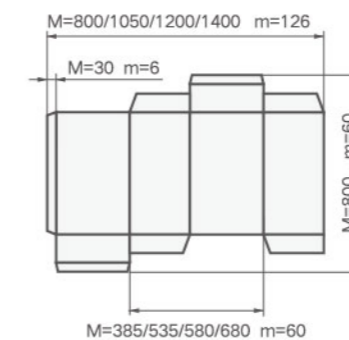
- 高频率等离子表面处理装置 ①
 - 采用喷胶系统（锁底盒，4&6 角盒等配置）②
-
- High frequency plasma surface treatment plant
 - Using spray adhesive system (lock bottom box, 4 & 6 corner box configuration)



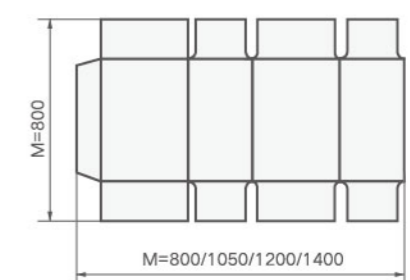
型号	Model	GSF-850 PF	GSF-1100 PF	GSF-1250 PF	GSF-1450 PF
适用纸质	Material	200-800gsm 卡纸, A.B.C.E.F 瓦楞纸, 三层 & 五层平口箱 200-800gsm paperboard, A.B.C.E.F. Corrugated board			
制盒型式	Box type	一般边贴, 平口箱, (两侧边贴, 勾底盒, CD 盒, 4&6 角盒选配) Straight line, flat mouth box, (double sided, lock bottom box, CD box, 4 & 6 corner box optional)			
最高线速度	Max speed	400m/min	400m/min	400m/min	400m/min
总功率	Power	17KW	19KW	21KW	23KW
机器重量	Weight	7.5TONS	9.5TONS	11.5TONS	11.5TONS
机器尺寸(净长×宽×高)	Size (L×W×H)	17×2.0×1.5m	17×2.3×1.5m	17×2.5×1.5m	17×2.7×1.5m
压缩空气压力	C.A.P	6 (标准气压) bar	6 (标准气压) bar	6 (标准气压) bar	6 (标准气压) bar
压缩空气能量	C.A.E	6 m³/h	6 m³/h	6 m³/h	6 m³/h
压缩空气容量	C.A.V	40L	40L	40L	40L

* 最大尺寸与最小尺寸是按最理想盒型运行时提供的参考尺寸，如有改动恕不另行通知
* Minimum size and maximum size is according to the ideal box type runtime provides reference size, are subject to change without prior notice

边贴纸盒
Straight Line Box



平口箱
Flat Mouth Box



单位：毫米
Unit: mm

* 其它特殊盒型请垂询本公司销售部，可以根据客户要求定做
* Other special box please contact our sales department

GSF-850/1100 C

Standard Box Smart Folder Gluer

卡纸·瓦楞单侧边贴型糊盒机



智能模块
Intelligent module



高速机型
High speed



卡瓦双用
Multi-purpose



适合糊制一般的边贴插底盒型，消耗周转较快的产品包装，方便运输流通，底部撑开后，还需人工折叠，插底成型。

It's suitable for the box that consumes faster turnover. It needs to be folded manually after the bottom is opened.

零部件展示 Casings Figure

- 零部件设计严谨，带轮传动部件配合精度高（孔轴公差控制在 ± 0.01 毫米内），其它部件大量采用模具化和激光加工，调节简单，拆装方便，互换性好，高速运转时噪音极低
- Parts design is rigorous, wheeled driving part with high precision (the hole axis of tolerance control within ± 0.01 mm), other parts of the mould and laser processing, adjustment is simple, convenient, tear open outfit, good compatibility, high speed when the noise is extremely low



产品特点

- GSF 系列糊盒机是目前市场上较先进的糊盒方案，让您同时拥有高端的配置，简单快速的操作平台及合理的价格
- 该系列尤其适合大中型包装企业，商业印刷厂，可满足不同幅面，各种盒型糊盒需求
- 操作灵活高效，并且具备高性能机械电气配置
- 所有机型均可以选择配置先进的电子喷胶系统

Product Features

- GSF series pasting box machines are currently on the market the best paste box package, let you have the most simple and quick operation platform, and the most reasonable price.
- This series is especially suitable for large and medium-sized packaging enterprise, commercial printing factory, can meet the different level, a variety of type box pasting box demand.
- Flexible and efficient operation, and have high performance mechanical electrical configuration.
- All the models can choose to configure the most advanced electronic spray adhesive system.

GSF-850/1100/1250/1450 C

Standard Box Smart Folder Gluer

卡纸·瓦楞单侧边贴型糊盒机

技术参数及制作尺寸

Specification & Box Size

组成 & 模块

Composition & module

- 本机由给纸（校正）部分，本折部分，输出部分，压平部分共四大部分组成
- Feeder Section, Paper Alignment System, Folding Section, Transfer Section, Conveyor Section

特点 & 配置

Main features & machine configuration

- 人性化设计，一个六角扳手可调整大部分部件，调试容易；
- 触摸屏，按钮，遥控器远程，三个面板三位一体均可操作设备，方便快捷；
- 整机墙板及部分复杂件采用电脑激光加工整体切割，主导板经冷热调质处理；
- 零部件设计严谨，加工精密，稳定性好，高速运转噪音极低，耐用性好；
- 高端机型关键传动部分轴承可选用日本名牌 NSK 厂家轴承，主轴可选用硬铬钢棒，紧固螺栓可选用 12.9 级；
- 主电机高端机型可选配台湾东元 TECO 品牌，压平电机高端机型可选配台湾晟邦精密 CPG 品牌；
- 主控电气变频器，PLC 等高端机型可选配施耐德 Schneider 品牌，触摸屏可选配台湾威纶 WEINVIEW；
- 多楔带轮和多楔带高端机型可选配法国哈金森品牌 HUTCHINSON；
- 输送带高端机型可选配瑞士瑞宝龙 RAPPLON 两面特殊材质皮带；平面皮带可选配日本 NITTA 皮带。
- 1250/1450 机型是分组式机型，开放式结构，方便进入墙板内侧调试机器。
- 1250/1450 机型本折部分上带动力驱动，确保大幅面纸盒折叠时运行平稳。
- Humanized design, a hexagonal wrench can adjust most of the parts, debugging easy;
- Touch screen, button, remote control distance, three panels of the trinity are operating equipment, convenient and quick;
- The machine wallboard and some complex casting using computer laser cutting whole, dominant board conditioning treatment after hot and cold;
- Parts design, processing precision, good stability, high speed low noise, good durability;
- Bearing adopts Japan NSK bearing manufacturer of famous brand, the main shaft adopts hard chrome steel rods, fastening bolt use 12.9 on the Richter scale;
- Main motor adopt Taiwan TECO brand, pressing machine adopt Taiwan sheng bond precision CPG brand;
- Master electrical frequency converter, PLC, Schneider brand, the higher WEINVIEW touch product adopts Taiwan wei;
- Wedge pulleys and wedge belt adopts French HUTCHINSON brand;
- Conveyor belt by Swiss baolong RAPPLON special belt on both sides. Flat belt adopt Japan NITTA belt.
- The open structure of GSF-1250/1450 is convenient for adjusting the machine.
- The folding section of GSF-1250/1450 is driven by power that ensure smooth operation when folding carton.

另选配置

Optional configuration

- 高频率等离子表面处理装置
- SZ-500 自动收纸机 ①
- High frequency plasma surface treatment plant
- SZ-500 Automatic stacker

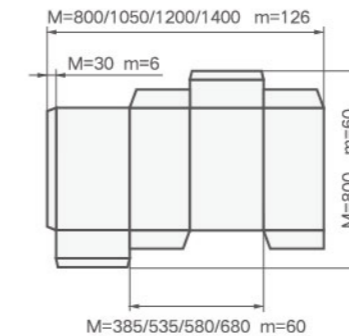


型号	Model	GSF-850 C	GSF-1100 C	GSF1250 C	GSF1450 C
适用纸质	Material	200-800gsm 卡纸, A.B.C.E.F 瓦楞纸, 三层 & 五层平口箱 200-800gsm paperboard, A.B.C.E.F. Corrugated board			
制盒型式	Box type	一般边贴, 平口箱, (两侧边贴, 勾底盒, CD 盒, 4&6 角盒选配) Straight line, flat mouth box, (double sided, lock bottom box, CD box, 4 & 6 corner box optional)			
最高线速度	Max speed	400m/min	400m/min	400m/min	400m/min
总功率	Power	17KW	19KW	21KW	23KW
机器重量	Weight	6.5TONS	8.5TONS	9.5TONS	10.5TONS
机器尺寸(净长×宽×高)	Size (L×W×H)	14×2.0×1.5m	14×2.3×1.5m	14×2.5×1.5m	14×2.7×1.5m
压缩空气压力	C.A.P	6 (标准气压) bar	6 (标准气压) bar	6 (标准气压) bar	6 (标准气压) bar
压缩空气能量	C.A.E	6 m³/h	6 m³/h	6 m³/h	6 m³/h
压缩空气容量	C.A.V	40L	40L	40L	40L

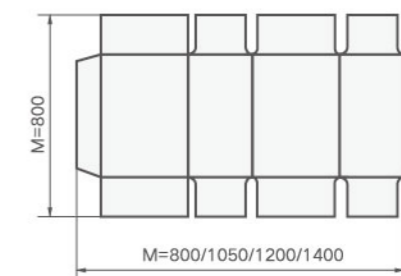
* 最大尺寸与最小尺寸是按最理想盒型运行时提供的参考尺寸，如有改动恕不另行通知

* Minimum size and maximum size is according to the ideal box type runtime provides reference size, are subject to change without prior notice

边贴纸盒 Straight Line Box



平口箱 Flat Mouth Box



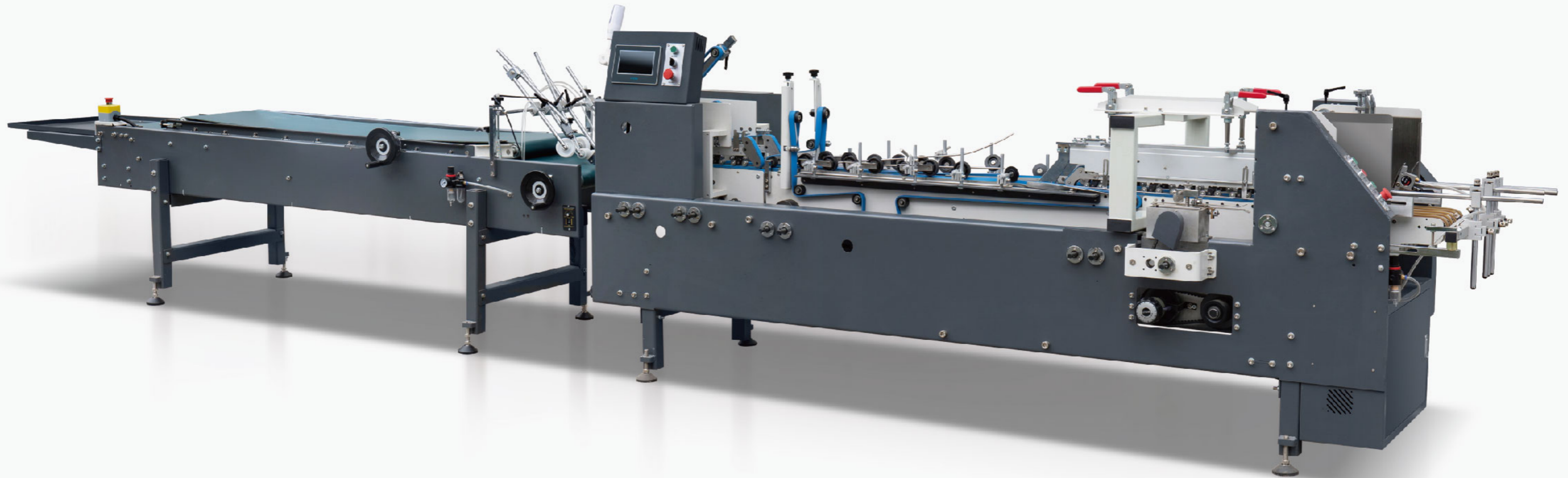
单位：毫米
Unit: mm

* 其它特殊盒型请垂询本公司销售部，可以根据客户要求定做
* Other special box please contact our sales department

GSF-600/800 A

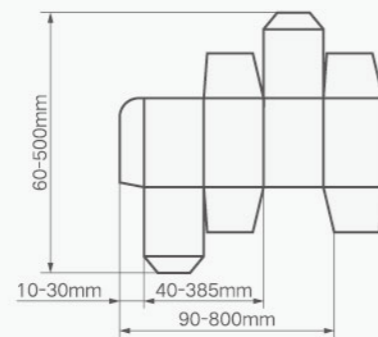
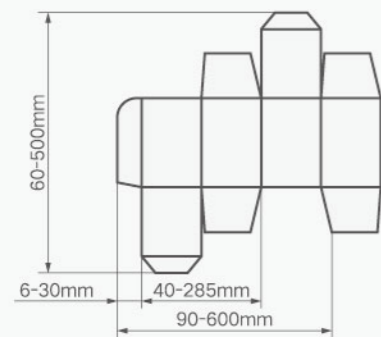
Automatic Folder Gluer

高速自动糊盒机(单侧边贴型)



边贴纸盒
Straight Line Box

单位: 毫米
Unit: mm



型号	Model	GSF-600 A	GSF-800 A
适用纸质	Material	180-800gsm纸板、E型瓦楞纸(微型瓦楞) 180-800gsm paperboard, E corrugated boxes	
制盒型式	Box type	一般边贴 Standard box	一般边贴 Standard box
最高线速度	Max speed	250m/min	250m/min
所需电力	Power	2.2kw,220v	4kw,380v
机器重量	Weight	1800kgs	2300kgs
最大排气量	Max air supply	0.7m/min	0.7m/min

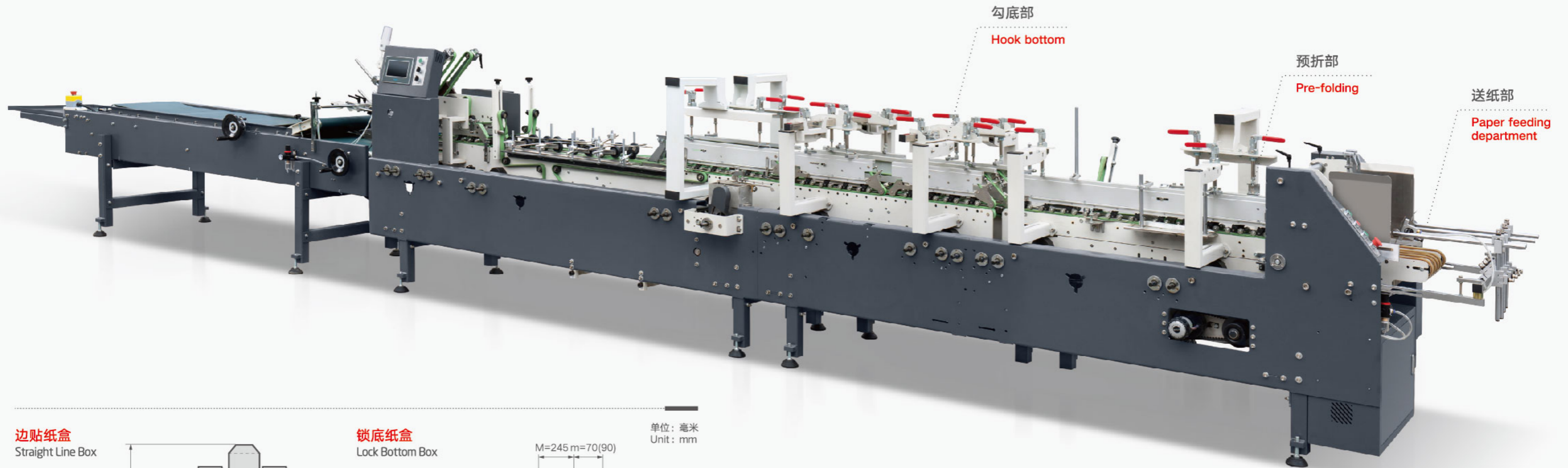
本目录仅供参考, 特殊形式可另外设计。
The catalogue provides reference only, peculiar form but another designs that.

GSF-600/800 G

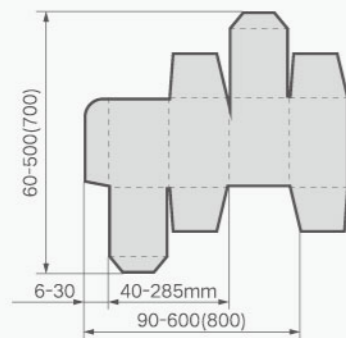
Automatic Folder Gluer (With Pre-folding Lock Bottom Type)
(With Alignment Lock Bottom Type)

高速自动糊盒机

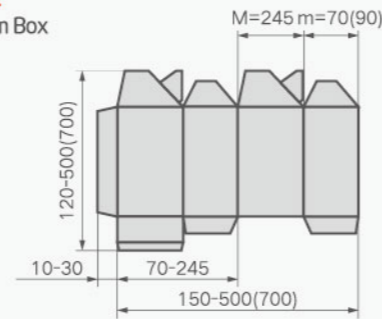
带预折 锁底型 带校正



边贴纸盒
Straight Line Box

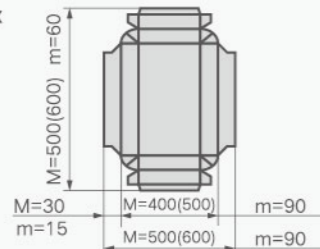


锁底纸盒
Lock Bottom Box

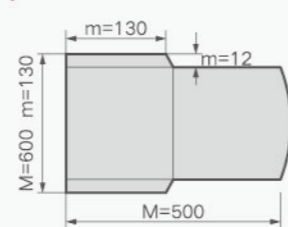


单位: 毫米
Unit: mm

两侧边贴纸盒
Double Sides Box



CD盒 (选配)
CD Box(optional)



型号	Model	GSF-600 G	GSF-800 G
标准功能	Standard function	适合直线盒或带预折锁底盒 Suitable for side gluing, or lock bottom paper boxes	
适用纸质	Material	180-800gsm纸板、E型瓦楞纸(微型瓦楞) 180-800gsm paperboard, E corrugated boxes	
最高线速度	Max speed	200m/min(optional 300m/min)	200m/min(optional 300m/min)
宽度	Width	600mm	800mm
机器重量	Weight	3000kgs	3500kgs
最大排气量	Max air supply	0.7m/min	0.7m/min
选配功能	Optional functions	CD盒、EMS快递袋、文件夹、弹簧三折丝袜盒 For CD、EMS courier boxes, documents files for socks paper boxes	

本目录仅供参考, 特殊形式可另外设计。
The catalogue provides reference only, peculiar form but another designs that.